

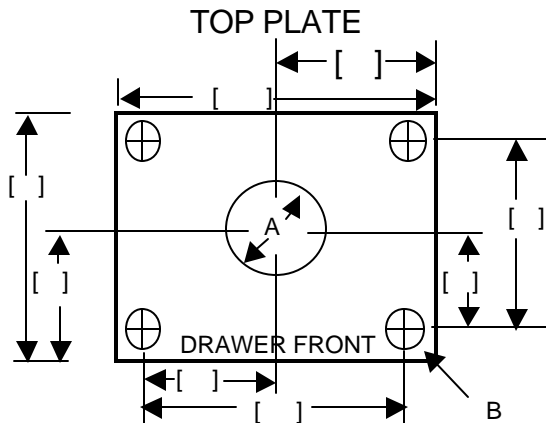
SPALTECH INTERNATIONAL

CUSTOMER INFORMATION:

COMPANY: _____
 ADDRESS _____
 CITY: _____ STATE/PROV.: _____
 ZIP/POSTAL CODE: _____

CONTACT: _____
 TITLE: _____
 PHONE: _____
 FAX: _____

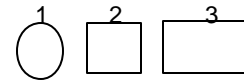
SPALTECH DRAWER MAGNET GENERAL SIZING FORM



TOP PLATE DIMENSIONS

(to match base of hopper)

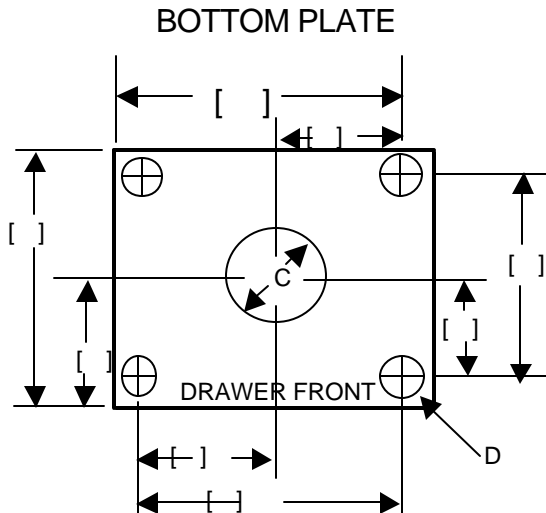
A _____ INDICATE SHAPE



B _____ CENTER TO CENTER

SHUT OFF REQUIRED:

YES { } IF YES - INDICATE SIDE
 NO { } RIGHT { } OR LEFT { }



BOTTOM PLATE DIMENSIONS

(to match machine feedthroat)

C _____ (ROUND ONLY)

D _____ HOLE OR TAP SIZE

OTHER OPTIONS REQUIRED:

SIDE MOUNTED PURGE HOPPER { }
 LIQUID COLOUR DISPENSING PORT { }
 DISCHARGE DUMP TUBE { }

SPECIAL REQUIREMENTS:

37 Charles Street, Halton Hills, Ontario, Canada, L7G 2Z4
 Phone: 905-877-2771 E-mail: info@spaltech.com

Submit completed form to SPALTECH for an immediate quotation.

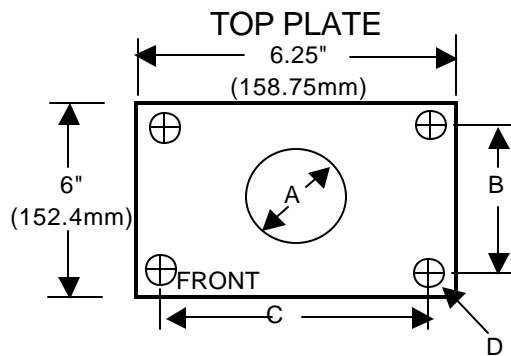
SPALTECH INTERNATIONAL

CUSTOMER INFORMATION:

COMPANY: _____
 ADDRESS _____
 CITY: _____ STATE/PROV.: _____
 ZIP/POSTAL CODE: _____

CONTACT: _____
 TITLE: _____
 PHONE: _____
 FAX: _____

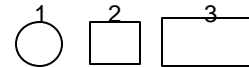
SPALTECH DRAWER MAGNET MODEL SDM-3



TOP PLATE DIMENSIONS

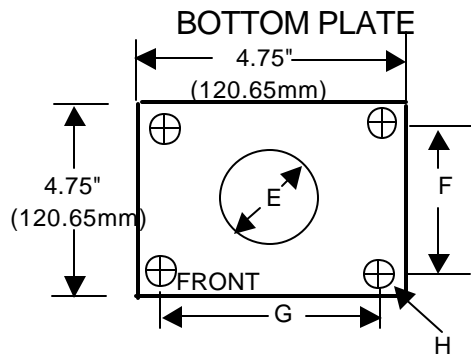
(to match base of hopper)

- A _____ INDICATE SHAPE
- B _____ CENTER TO CENTER
- C _____ CENTER TO CENTER
- D _____ HOLE OR TAP SIZE



SHUT OFF REQUIRED:

YES { } IF YES - INDICATE SIDE
 NO { } RIGHT { } OR LEFT { }



BOTTOM PLATE DIMENSIONS

(to match machine feedthroat)

- E _____ MAX. DIA. - 2.50" (ROUND ONLY)
- F _____ CENTER TO CENTER
- G _____ CENTER TO CENTER
- H _____ HOLE OR TAP SIZE

OTHER OPTIONS REQUIRED:

SIDE MOUNTED PURGE HOPPER { }
 LIQUID COLOUR DISPENSING PORT { }
 DISCHARGE DUMP TUBE { }

SPECIAL REQUIREMENTS:

37 Charles Street, Halton Hills, Ontario, Canada, L7G 2Z4
 Phone: 905-877-2771 E-mail: info@spaltech.com

Submit completed form to SPALTECH for an immediate quotation.

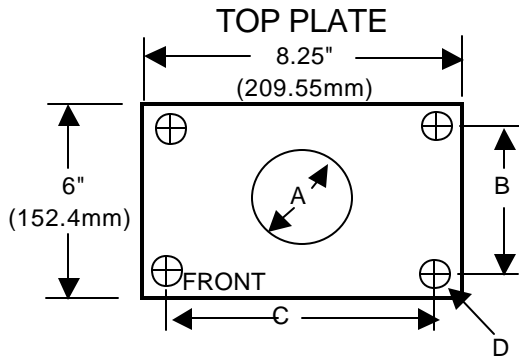
SPALTECH INTERNATIONAL

CUSTOMER INFORMATION:

COMPANY: _____
 ADDRESS _____
 CITY: _____ STATE/PROV.: _____
 ZIP/POSTAL CODE: _____

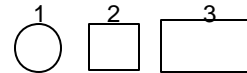
CONTACT: _____
 TITLE: _____
 PHONE: _____
 FAX: _____

SPALTECH DRAWER MAGNET MODEL SDM-5



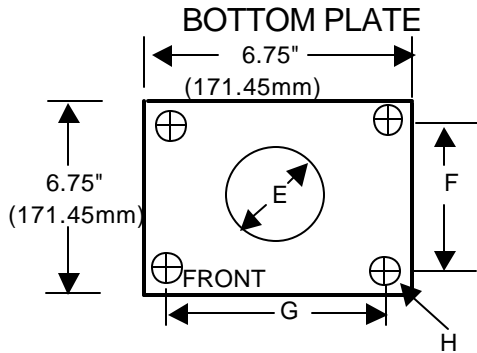
TOP PLATE DIMENSIONS
 (to match base of hopper)

- A _____ INDICATE SHAPE
 B _____ CENTER TO CENTER
 C _____ CENTER TO CENTER
 D _____ HOLE OR TAP SIZE



SHUT OFF REQUIRED:

YES { } IF YES - INDICATE SIDE
 NO { } RIGHT { } OR LEFT { }



BOTTOM PLATE DIMENSIONS
 (to match machine feedthroat)

- E _____ MAX. DIA. - 3.50" (ROUND ONLY)
 F _____ CENTER TO CENTER
 G _____ CENTER TO CENTER
 H _____ HOLE OR TAP SIZE

OTHER OPTIONS REQUIRED:

SIDE MOUNTED PURGE HOPPER { }
 LIQUID COLOUR DISPENSING PORT { }
 DISCHARGE DUMP TUBE { }

SPECIAL REQUIREMENTS:

37 Charles Street, Halton Hills, Ontario, Canada, L7G 2Z4
 Phone: 905-877-2771 E-mail: info@spaltech.com

Submit completed form to SPALTECH for an immediate quotation.

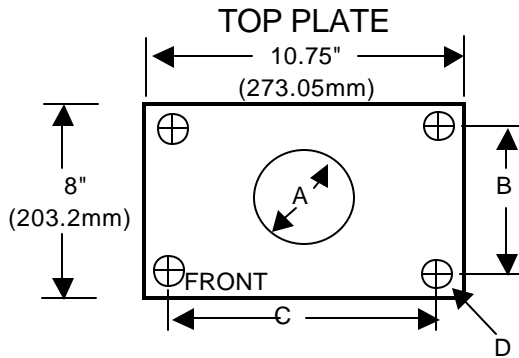
SPALTECH INTERNATIONAL

CUSTOMER INFORMATION:

COMPANY: _____
 ADDRESS _____
 CITY: _____ STATE/PROV.: _____
 ZIP/POSTAL CODE: _____

CONTACT: _____
 TITLE: _____
 PHONE: _____
 FAX: _____

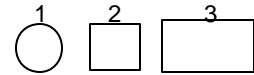
SPALTECH DRAWER MAGNET MODEL SDM-7



TOP PLATE DIMENSIONS

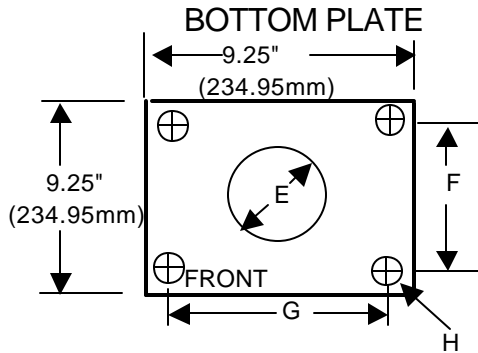
(to match base of hopper)

- A _____ INDICATE SHAPE
- B _____ CENTER TO CENTER
- C _____ CENTER TO CENTER
- D _____ HOLE OR TAP SIZE



SHUT OFF REQUIRED:

YES { } IF YES - INDICATE SIDE
 NO { } RIGHT { } OR LEFT { }



BOTTOM PLATE DIMENSIONS

(to match machine feedthroat)

- E _____ MAX. DIA. - 5.50" (ROUND ONLY)
- F _____ CENTER TO CENTER
- G _____ CENTER TO CENTER
- H _____ HOLE OR TAP SIZE

OTHER OPTIONS REQUIRED:

SIDE MOUNTED PURGE HOPPER { }
 LIQUID COLOUR DISPENSING PORT { }
 DISCHARGE DUMP TUBE { }

SPECIAL REQUIREMENTS:

37 Charles Street, Halton Hills, Ontario, Canada, L7G 2Z4
 Phone: 905-877-2771 E-mail: info@spaltech.com

Submit completed form to SPALTECH for an immediate quotation.